

"GENERATION OF CRYPTOGRAPHICALLY STRONG RANDOM NUMBERS USING MISRS"

Inventor - Richard M. Butler

Docket No. - 10991268-3

1/4

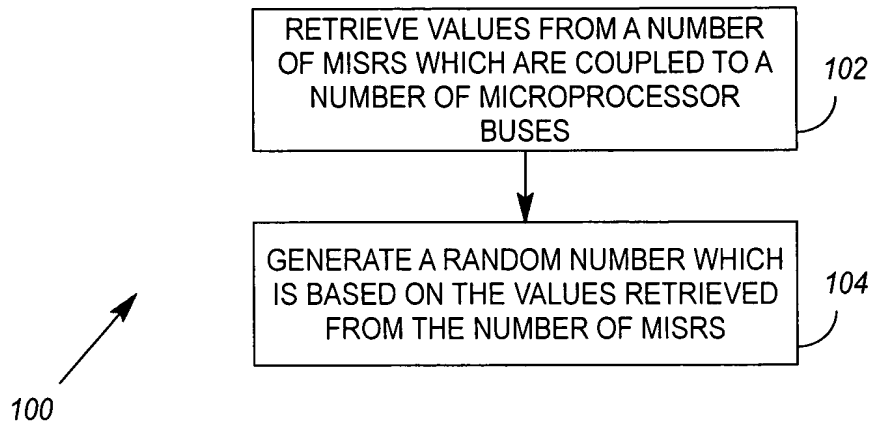
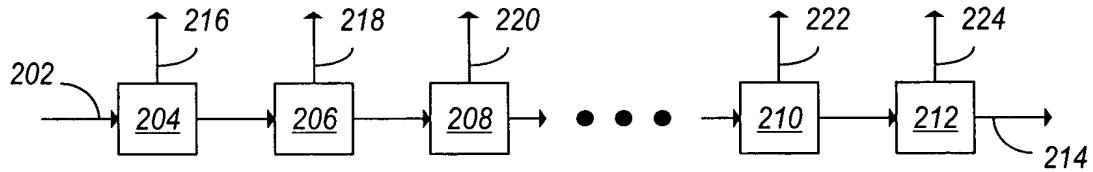
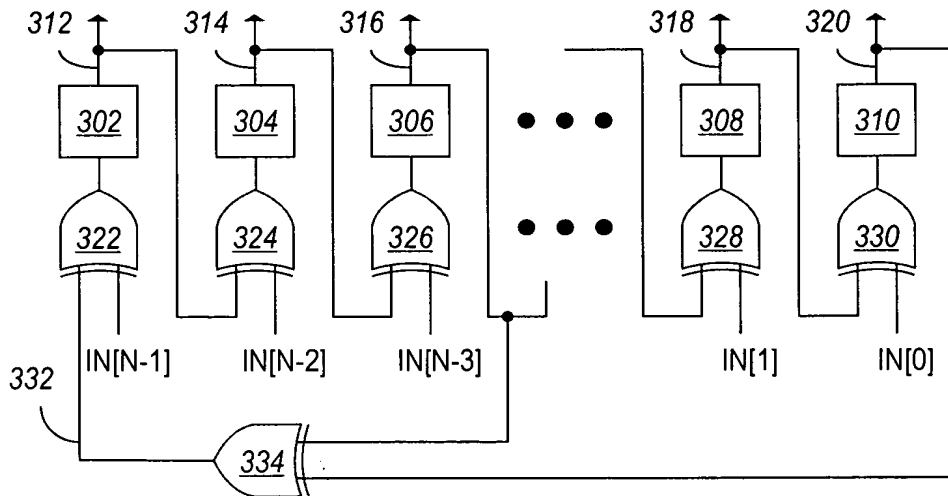


FIG. 1



*Prior Art*

FIG. 2



*Prior Art*

FIG. 3

"GENERATION OF CRYPTOGRAPHICALLY STRONG RANDOM NUMBERS USING MISRS"

Inventor - Richard M. Butler

Docket No. - 10991268-3

2/4

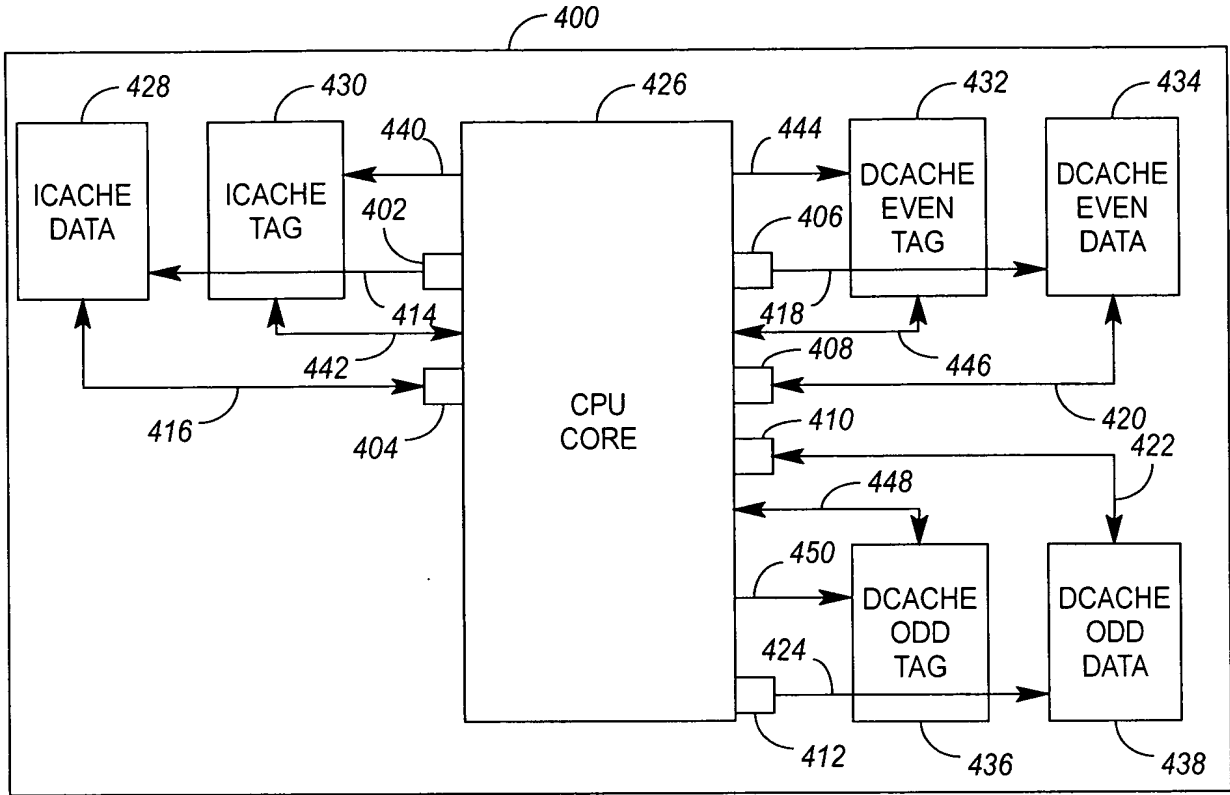


FIG. 4

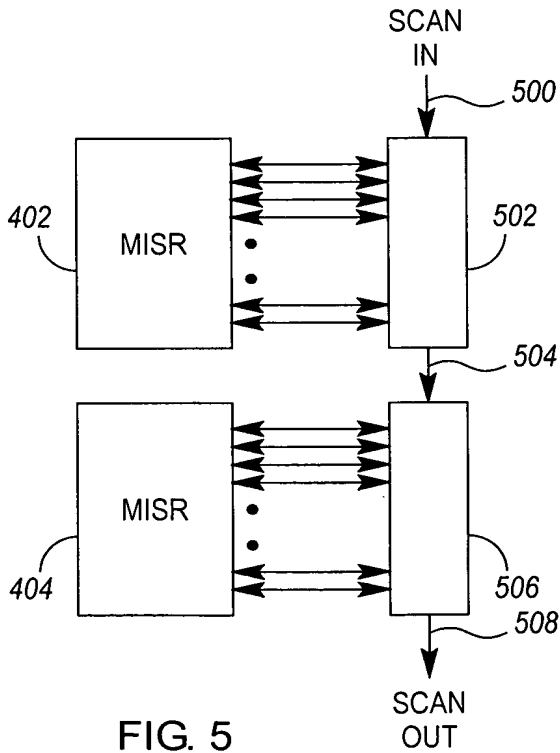


FIG. 5

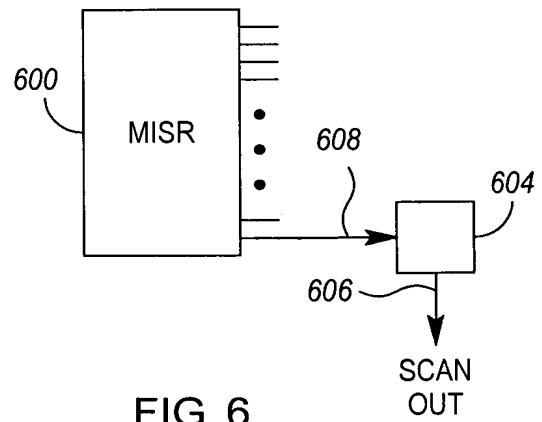


FIG. 6

"GENERATION OF CRYPTOGRAPHICALLY STRONG RANDOM NUMBERS USING MISRS"

Inventor - Richard M. Butler

Docket No. - 10991268-3

3/4

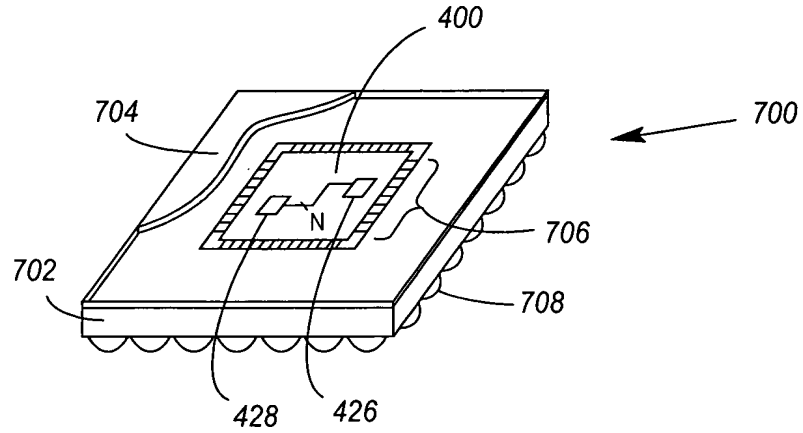


FIG. 7

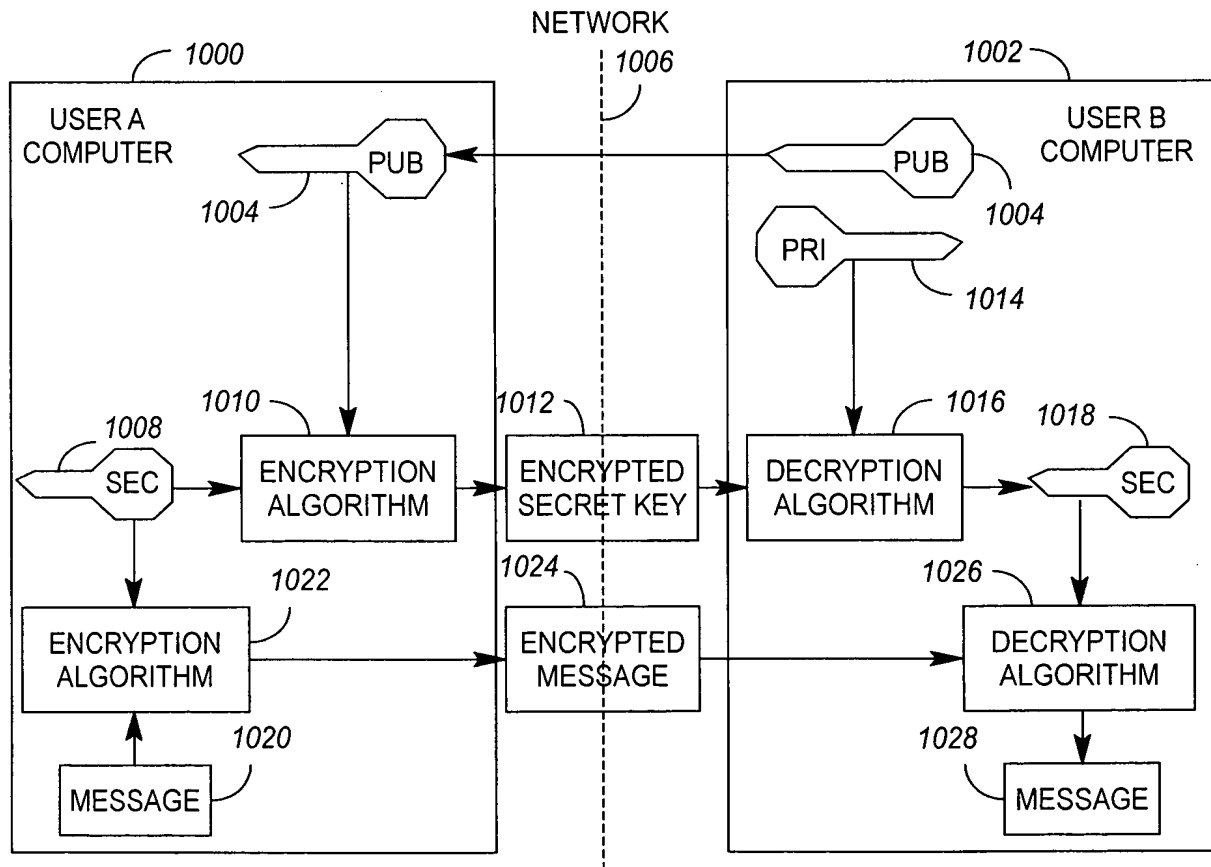


FIG. 10

"GENERATION OF CRYPTOGRAPHICALLY STRONG RANDOM NUMBERS USING MISRS"

Inventor - Richard M. Butler

Docket No. - 10991268-3

4/4

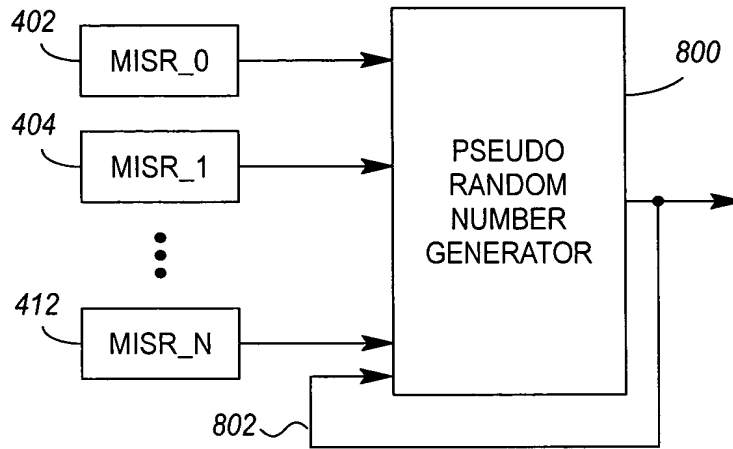


FIG. 8

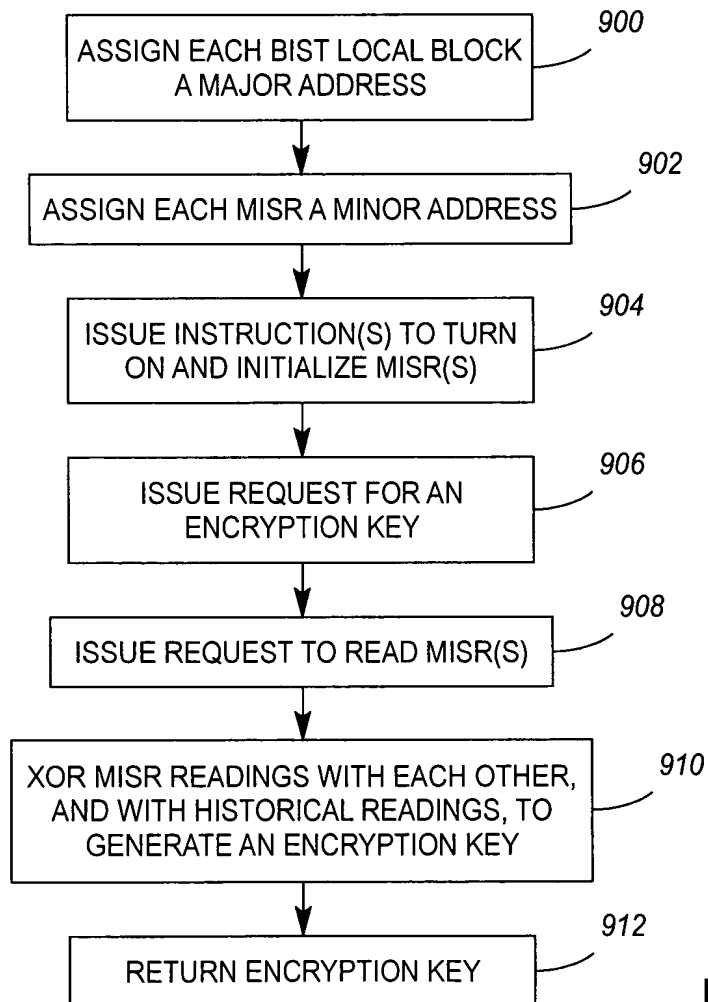


FIG. 9